



INSIGHT·PRO™



The Sharp Insight Pro™ Microwave Drawer™ is the **world's first 24-inch Microwave Drawer**. It places the microwave at the most convenient height for frequent use. Now microwave cooking is easier every cook in the family, with no need to remove the dish from the oven to check, stir or turn the food. For even greater convenience, the Microwave Drawer opens with the touch of a button. Sharp's advanced sensor technology eliminates the guesswork often associated with microwave cooking. The Microwave Drawer is large enough to hold a 9" x 13" oblong dish. And the Auto-Touch® control panel is angled so it is more convenient and easier to use.

With fresh thinking into how consumers really use their kitchens, Sharp puts innovation and cooking convenience at your fingertips. The Insight Pro Microwave Drawer: it's the most exciting idea yet for where to place the microwave—now available in a new 24-inch wide model.

### Design Flexibility

The world's first 24-inch Microwave Drawer is built-in ready for easy installation without the need for an additional kit. It eliminates awkward installations and cluttered counter-tops, making it ideal for open-plan kitchens and islands.

### Innovative Technology

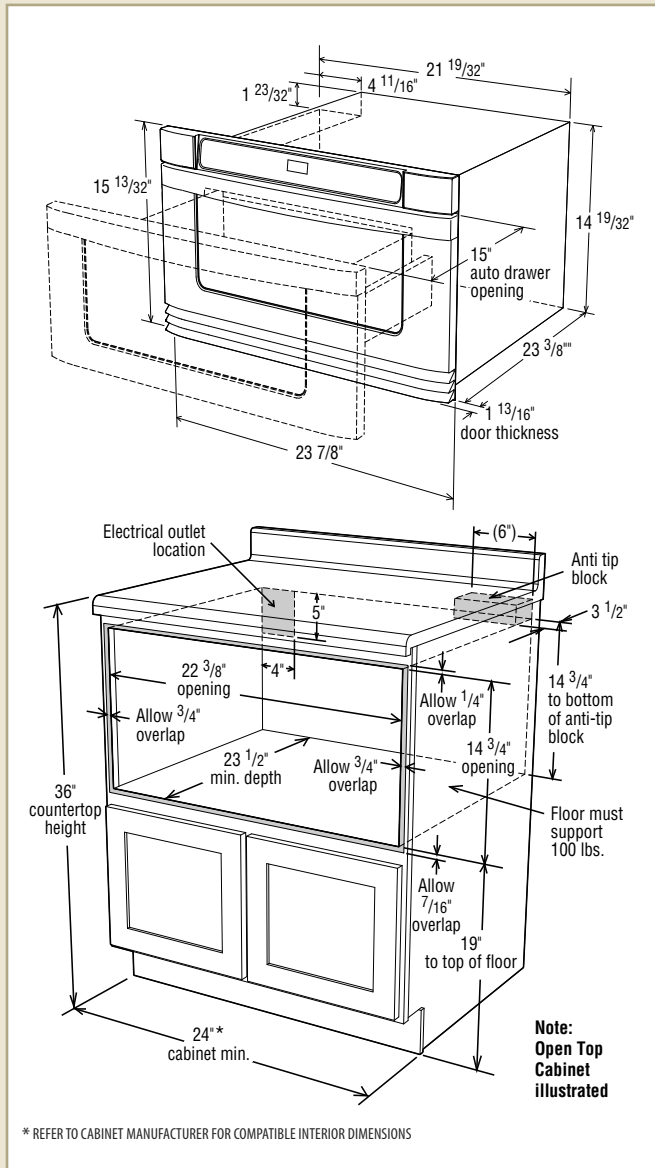
The Microwave Drawer provides superb access, placing the microwave at the most convenient height. Its microwave sensor technology eliminates guesswork when cooking or reheating.

### Convenience and Accessibility

The angled touch controls are convenient and easy to use. In addition, there is no need to remove the dish from the oven to check, stir, or turn the food. For even greater convenience, the Microwave Drawer opens automatically with the touch of a button.

### Sophisticated Style

The large viewing window, along with an integrated handle and angled touch controls, results in a sleek, sophisticated appearance that's an ideal complement to any kitchen decor.



To receive the most current specifications visit [www.dexpress.com](http://www.dexpress.com) or call Dimension Express at 775-833-3600 from a fax machine. Enter code 9026 for instructions and a directory of Sharp microwave oven products.



**30-inch Sharp Microwave Drawer  
Model KB-6015KS  
Best New Kitchen Product 2005  
Kitchen and Bath Industry Show**

SPECIFICATIONS	FEATURES	KB-6014LS/LK/LW
<b>Controls</b>	Front-mounted glass touch controls, angled for easy viewing	•
	Digital LCD display	•
	Kitchen timer	•
	Control lock	•
	Demonstration mode	•
<b>Microwave Drawer</b>	1.0 cu. ft. capacity (holds 9" x 13" dish)	•
	1000W output power	•
	Microwave Drawer opening system	Automatic
	Sensor Cook, Reheat, Popcorn	11 settings
	Preprogrammed Reheat	3 settings
	Automatic Defrost	5 settings
	Microwave Keep Warm	Up to 30 minutes
	Variable power levels	11
	Programmable stages	4
	Clock	•
Minute Plus™	•	
<b>Color</b>	Color	KB-6014LS stainless KB-6014LK black KB-6014LW white
<b>Outside Dimensions</b>	23 7/8" w x 15 13/32" h x 26 3/16" d (with handle)	
<b>Approx. Shipping Weight</b>	TBD	
<b>Power/Ratings</b>	120V, 60Hz / 1.67kW, 14.5 Amps	
<b>Safety Compliance</b>	FCC, DHHS, UL listed	
<b>UPC Codes</b>	KB-6014LS:	074000 616134
	KB-6014LK:	074000 616141
	KB-6014LW:	074000 616158
<b>Limited Warranty</b>	One-year parts and one-year labor with in-home service. The warranty continues for an additional four years, for a total of five years, on the magnetron tube for parts only.	

Design and specifications subject to change without notice.

For information including limited warranty, terms, complete dimensions and installation instructions, please visit [www.sharppusa.com/microwavedrawer](http://www.sharppusa.com/microwavedrawer).